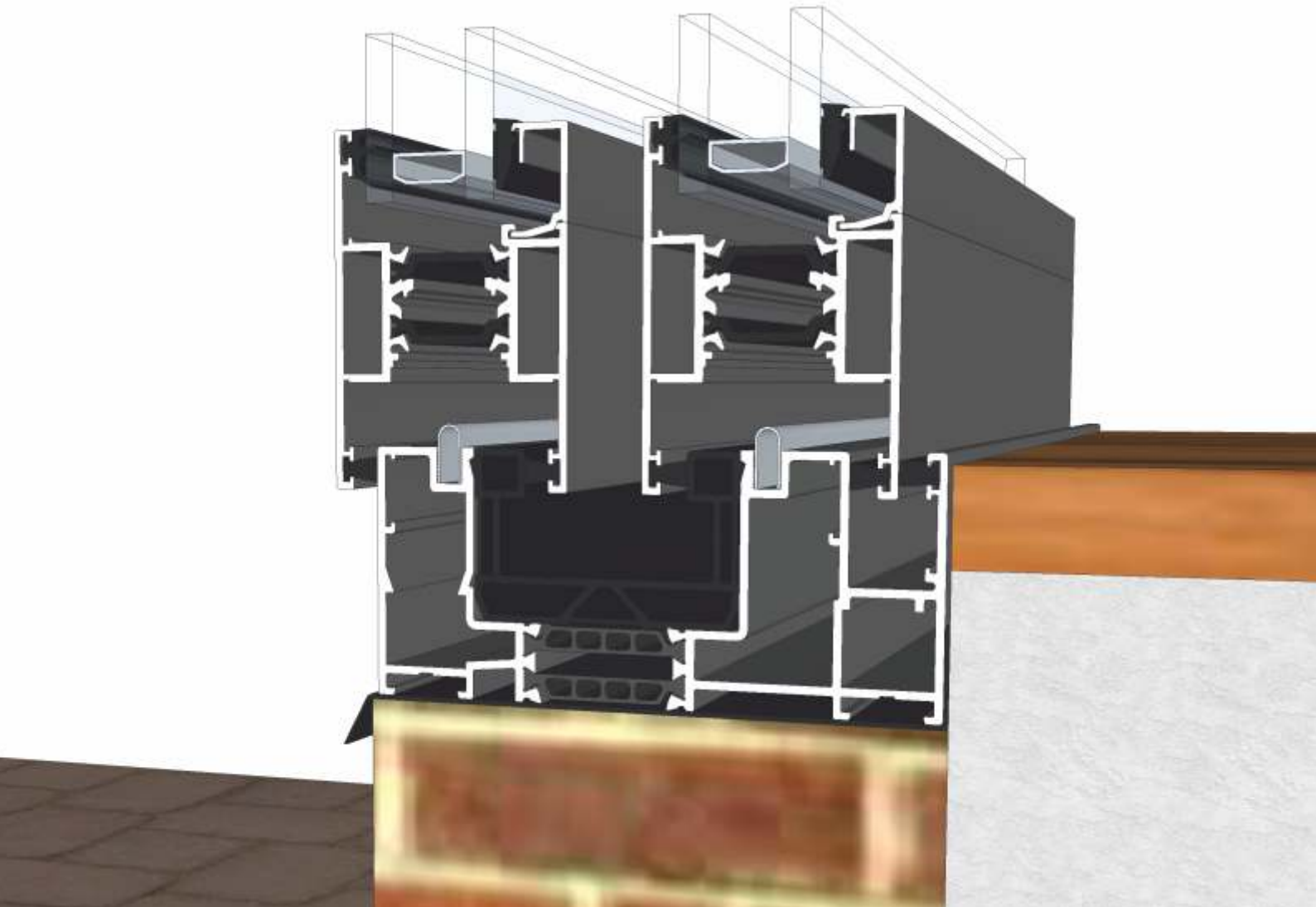
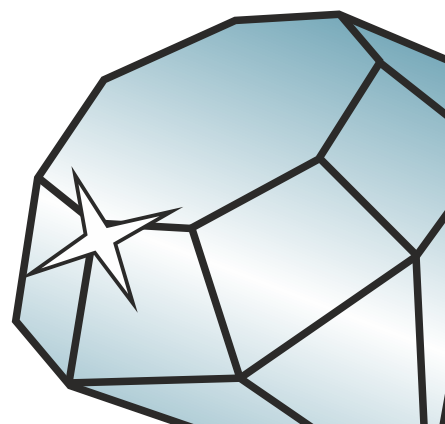


# Penthouse Plus S Patio

Threshold Options



DURATION  
WINDOWS



# Contents

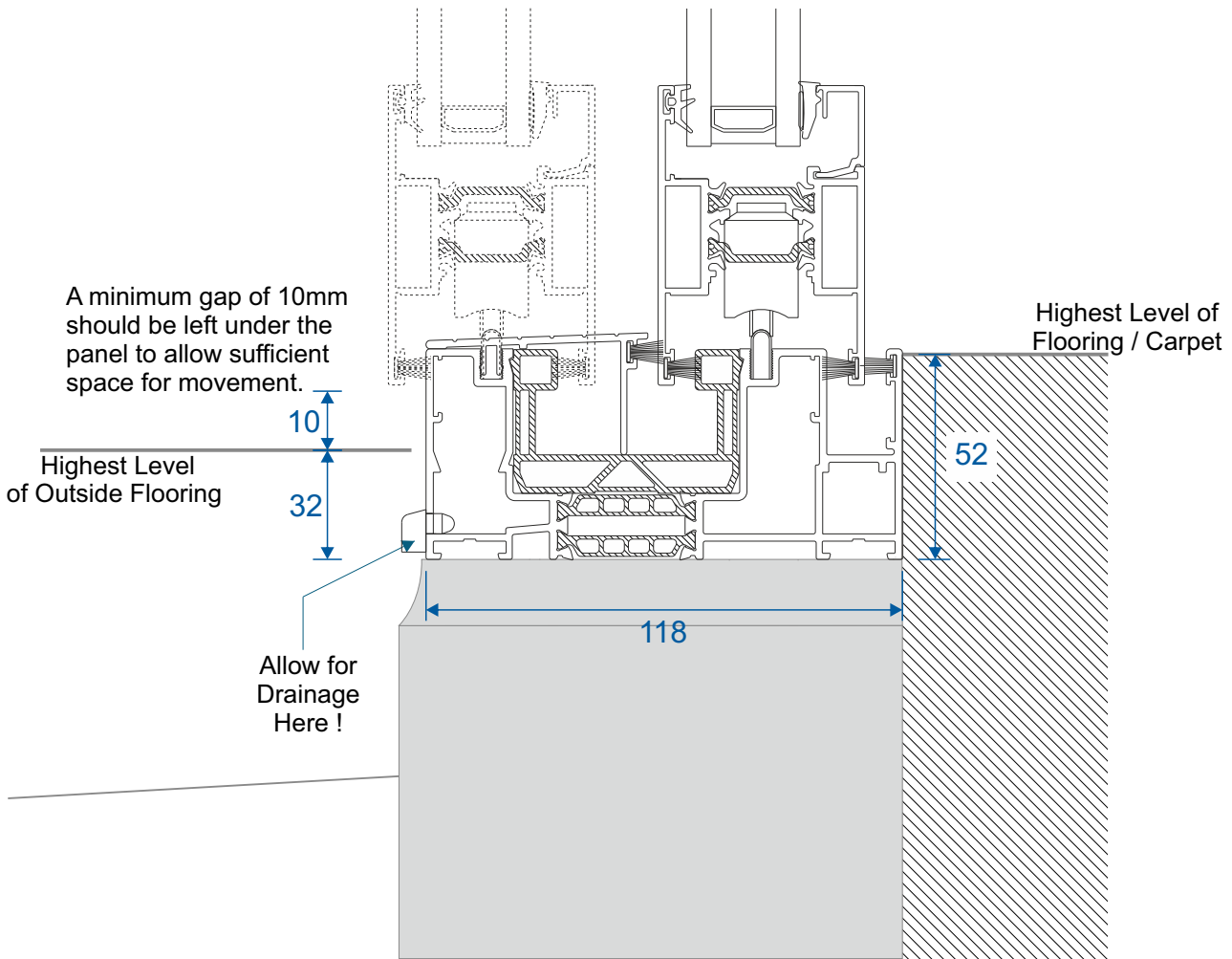
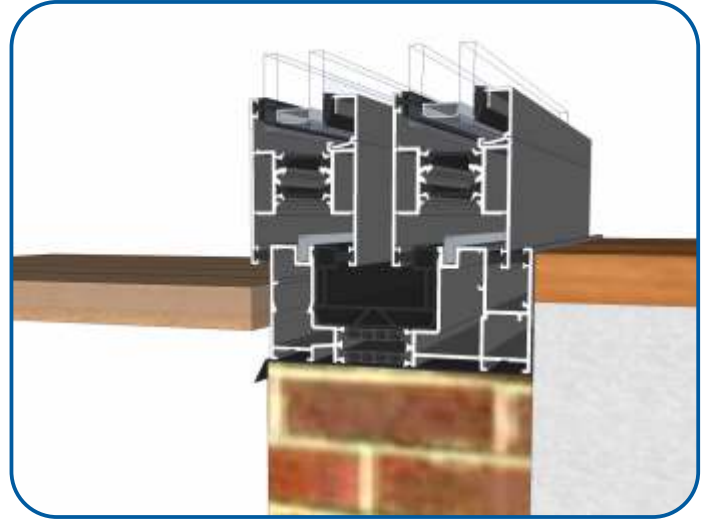


Two Track	3
Two Track With Cill	4
Three Track	5
Three Track With Cill	6
Cill Options & Drainage Paths	7

We reserve the right to make changes to the product specification as technical developments dictate, and without prior notice.  
Pictures shown are for illustrative purposes and are not binding in detail, colour or specification.

# Two Track

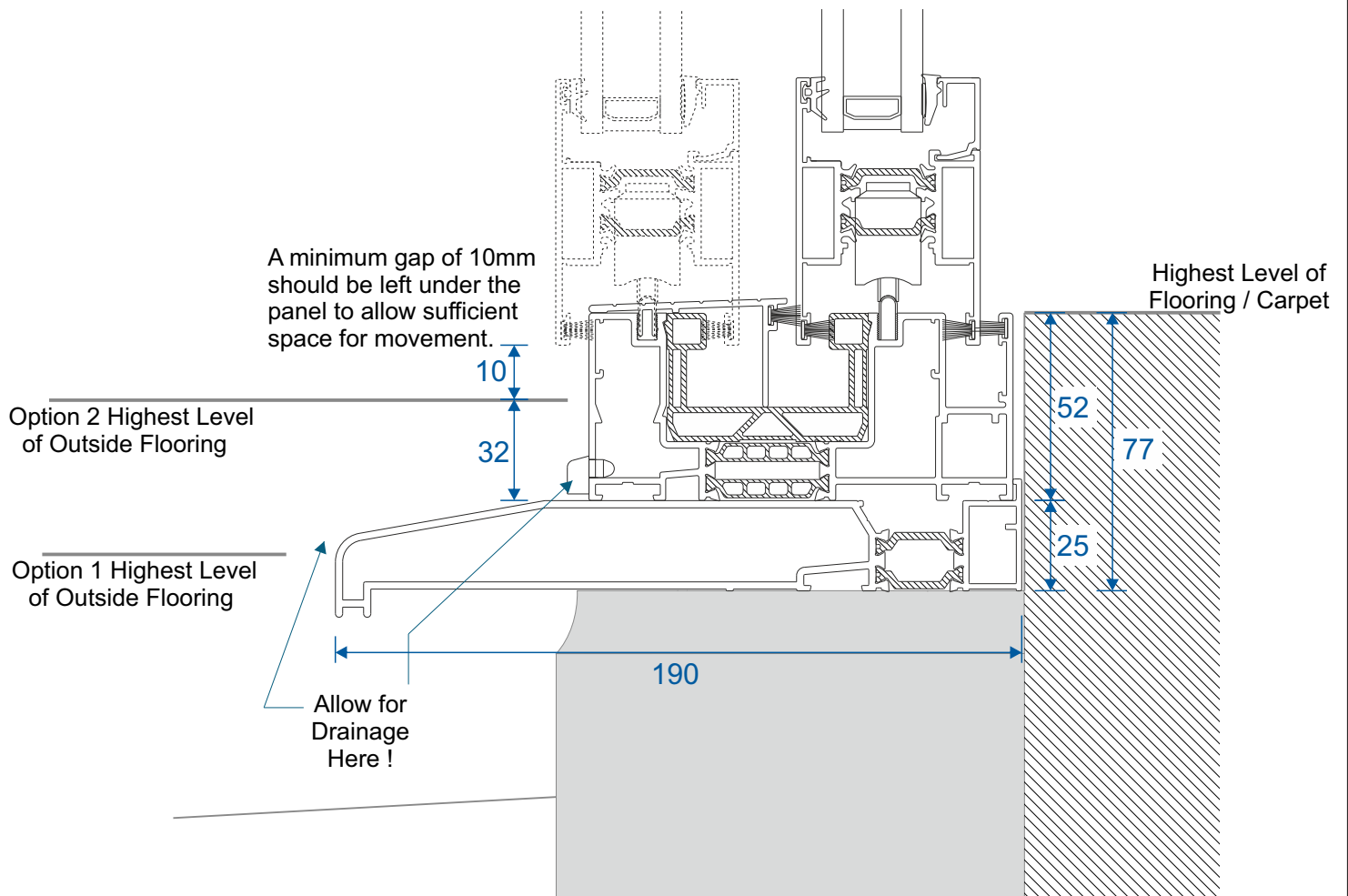
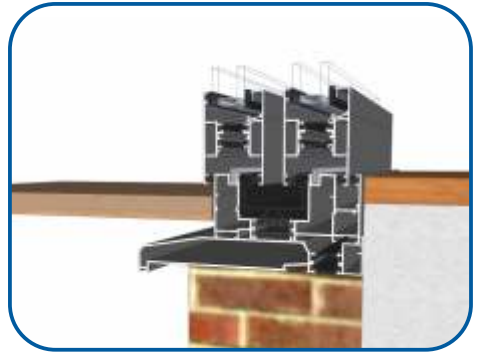
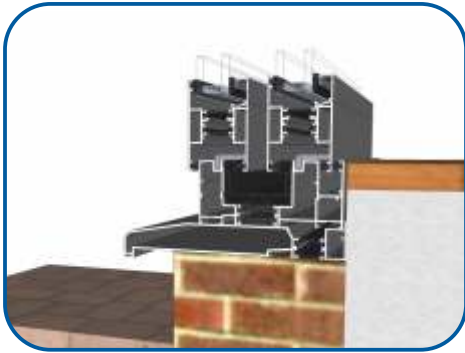
## No Cill



The images displayed in this document are an artistic representation only, and not a comprehensive installation guide. We do not supply decking, flooring, lead flashing etc. If in doubt please speak to a experienced builder or our technical department.

# Two Track

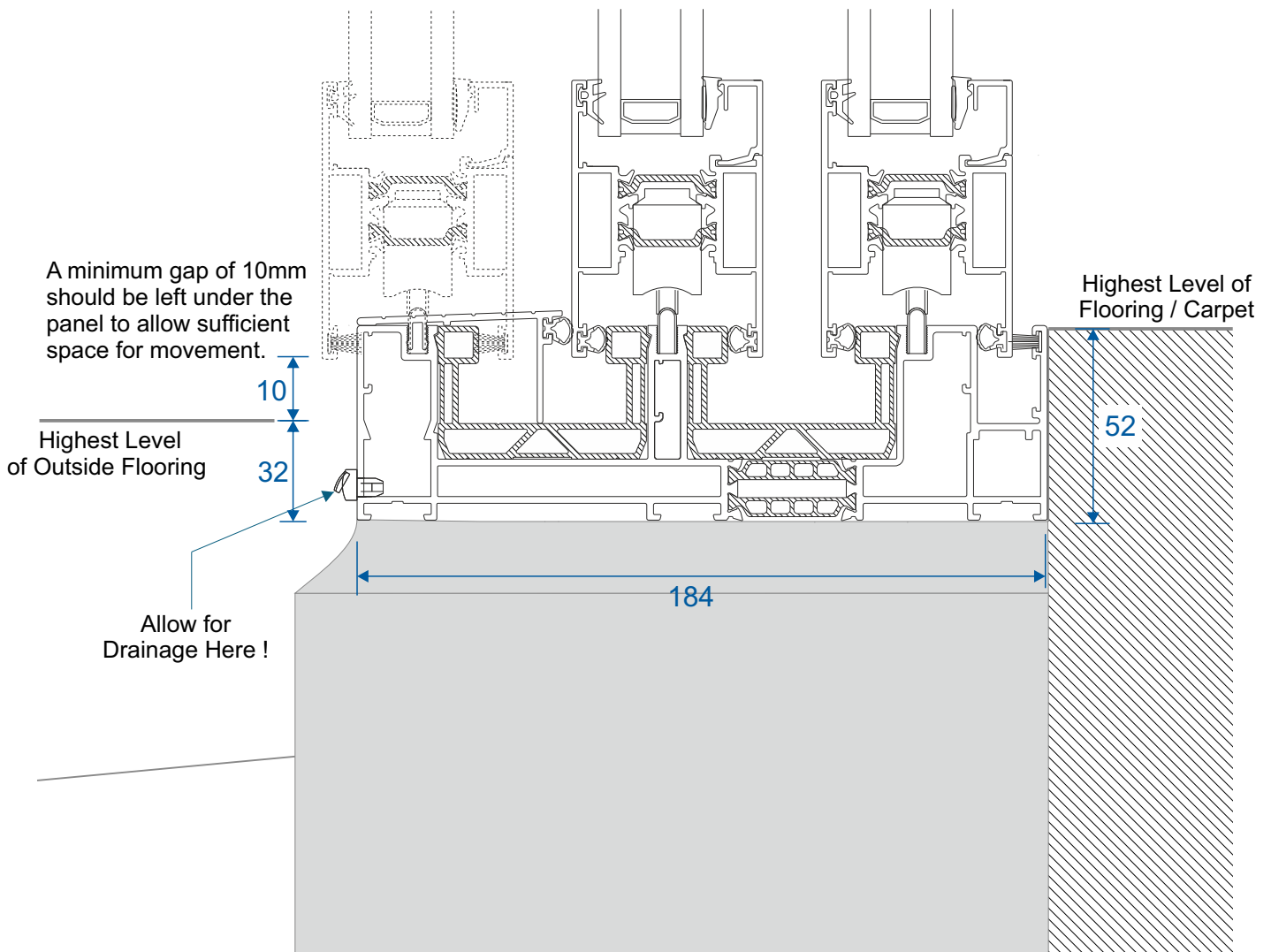
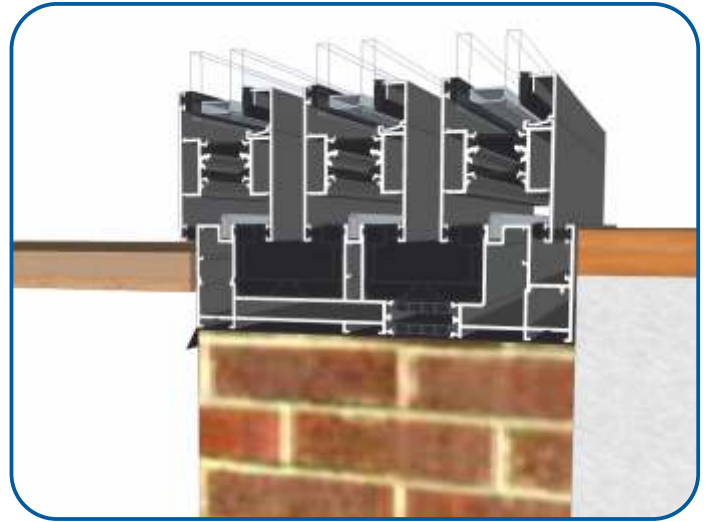
## With Cill



The images displayed in this document are an artistic representation only, and not a comprehensive installation guide. We do not supply decking, flooring, lead flashing etc. If in doubt please speak to a experienced builder or our technical department.

# Three Track

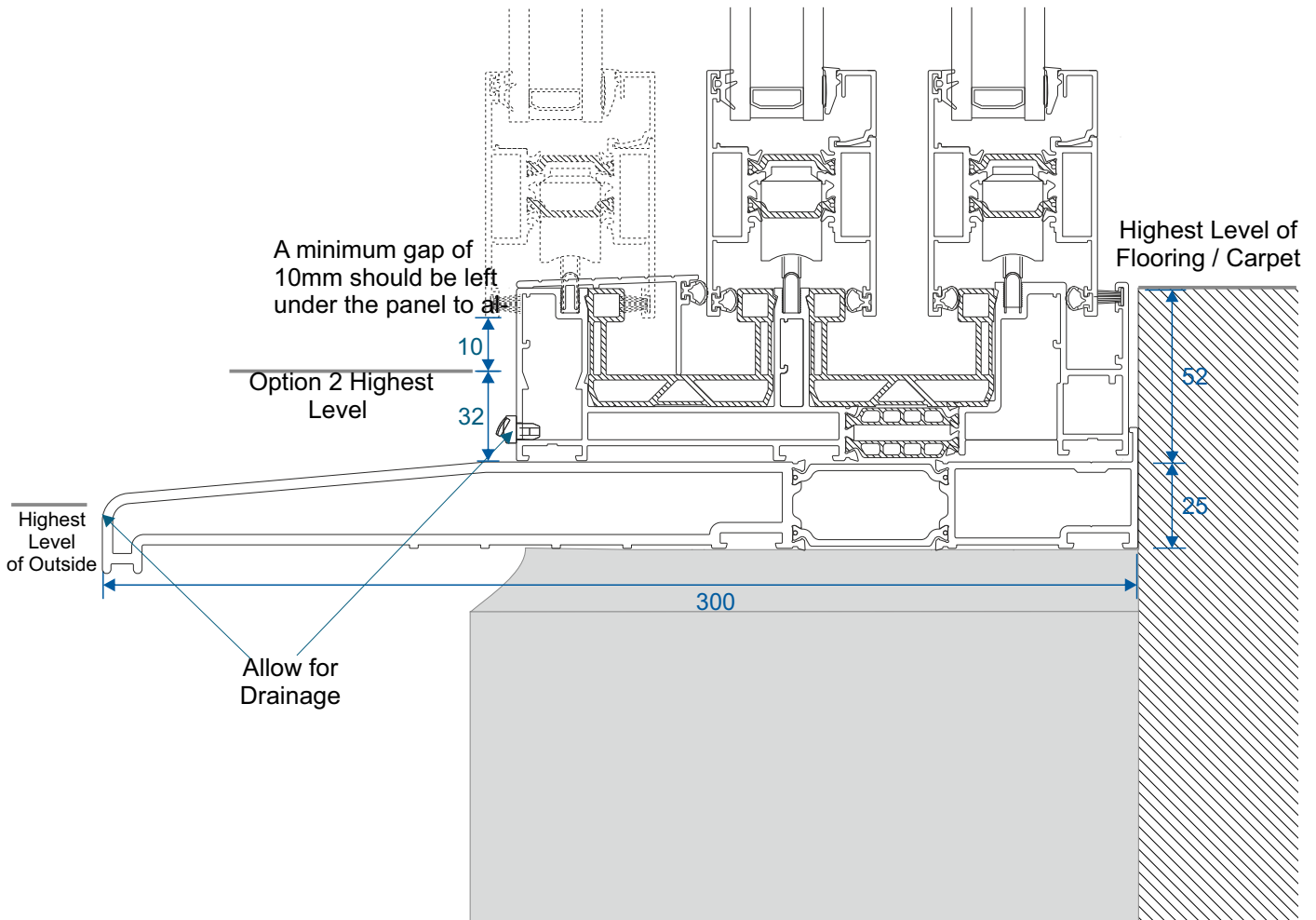
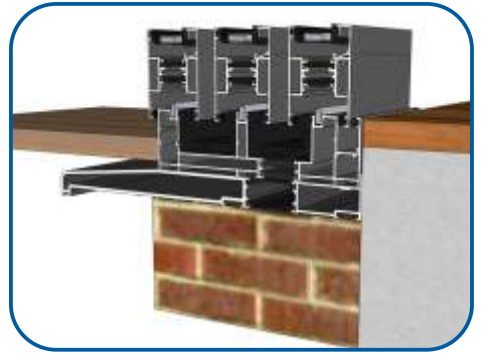
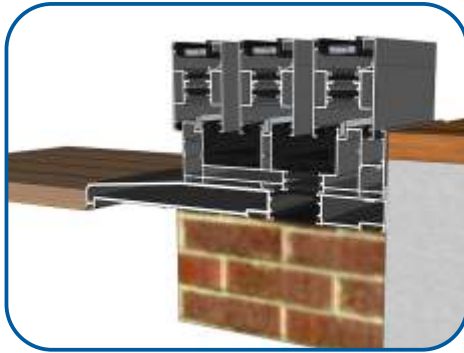
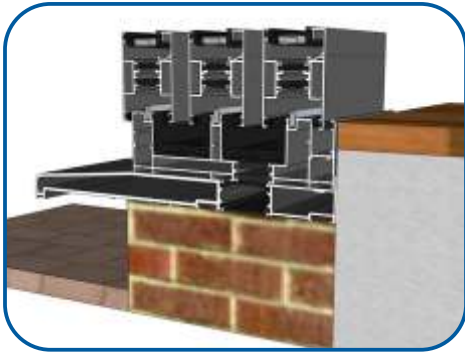
## No Cill



The images displayed in this document are an artistic representation only, and not a comprehensive installation guide. We do not supply decking, flooring, lead flashing etc. If in doubt please speak to a experienced builder or our technical department.

# Three Track

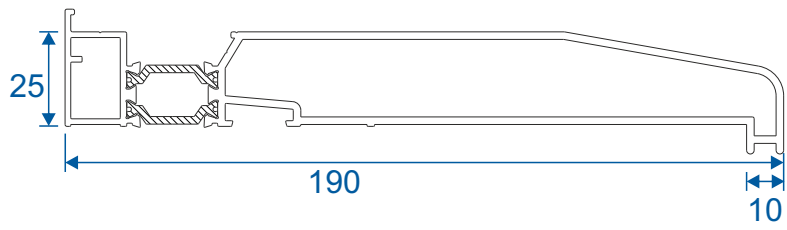
## With Cill



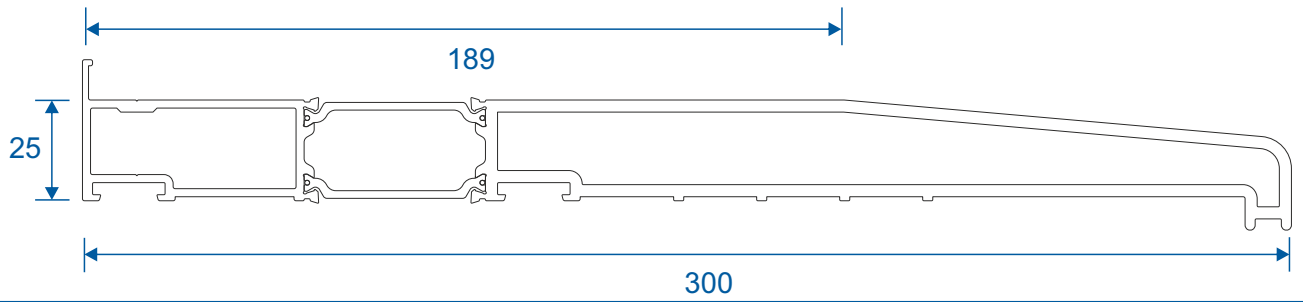
The images displayed in this document are an artistic representation only, and not a comprehensive installation guide. We do not supply decking, flooring, lead flashing etc. If in doubt please speak to a experienced builder or our technical department.

# Cill Options & Drainage

## ETC458 - 190mm Cill For Two Track VG511



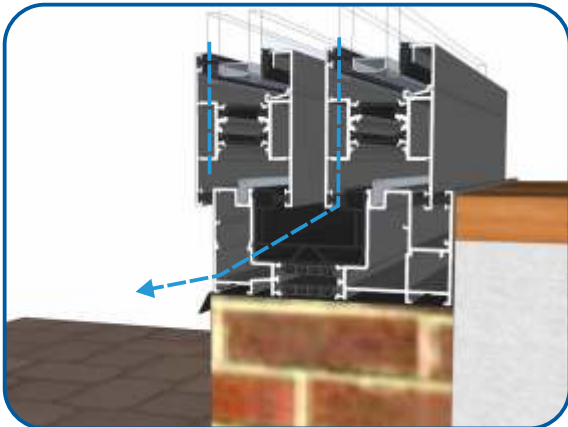
## ETC478 - 300mm Cill For Three Track VG513



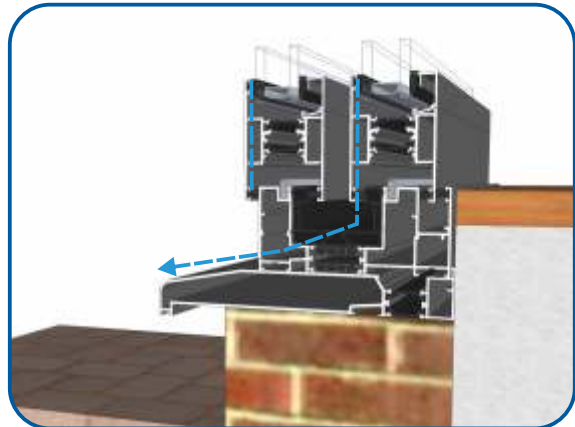
## Drainage

When installing a patio, drainage paths for the threshold need to be taken into consideration. Please discuss drainage with the installer, homeowner and installer of external flooring. The images below depict an example of each threshold and its drainage path.

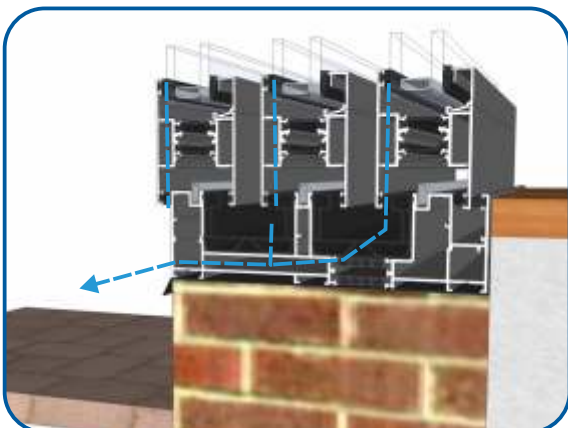
Two Track - No Cill



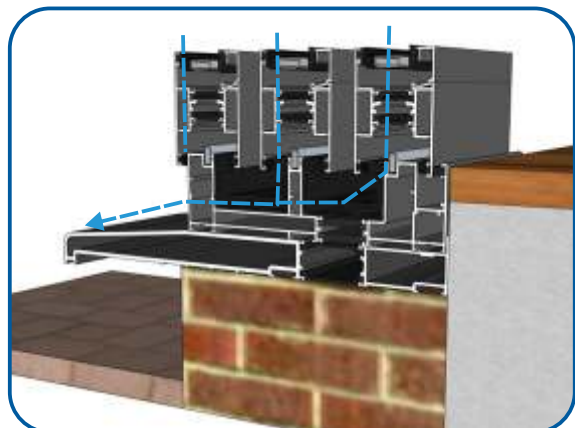
Two Track - With Cill



Three Track - No Cill



Three Track - With Cill



The images displayed in this document are an artistic representation only, and not a comprehensive installation guide. We do not supply decking, flooring, lead flashing etc. If in doubt please speak to a experienced builder or our technical department.

### **Main Office & Factory**

Units 4-5,                    t: 01268 681612 (20 lines)  
Charfleets Road,        f: 01268 510058  
Canvey Island,         e: sales@duration.co.uk  
Essex. SS8 0PQ         w: www.duration.co.uk

### **Product Showroom**

Unit 1 Casino Parade,    t: 01268 695100  
Eastern Esplanade,  
Canvey Island,            SatNav Directions  
Essex. SS8 7FJ            Use: SS8 7DN.